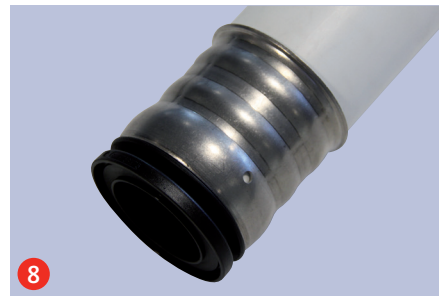
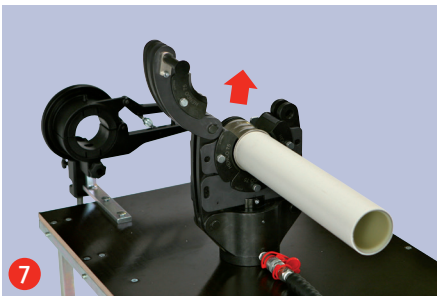
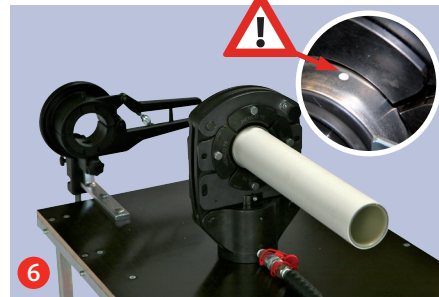
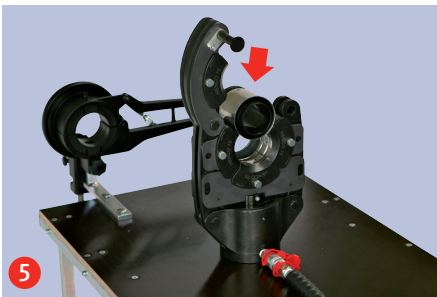
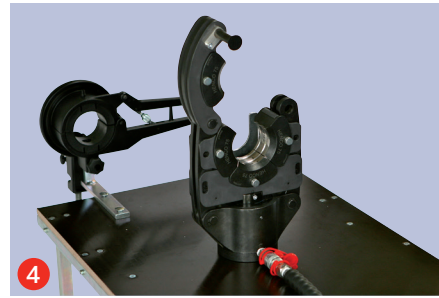
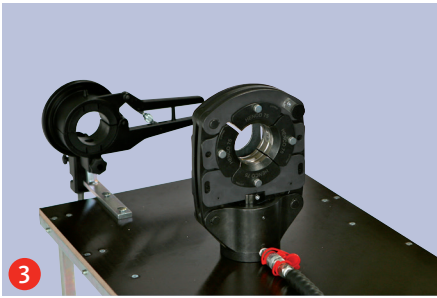
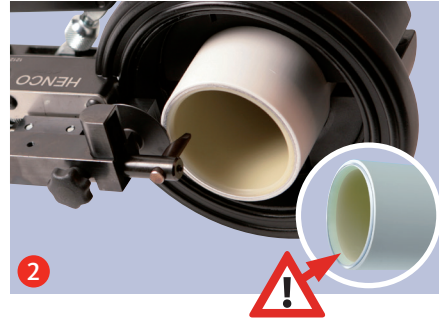
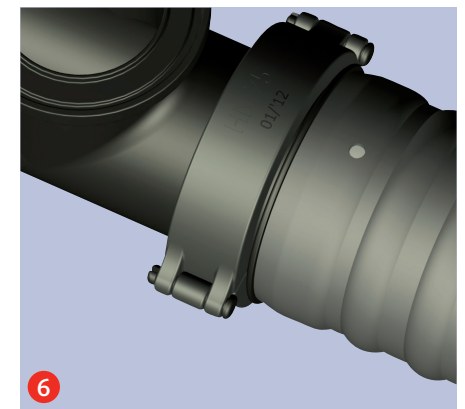
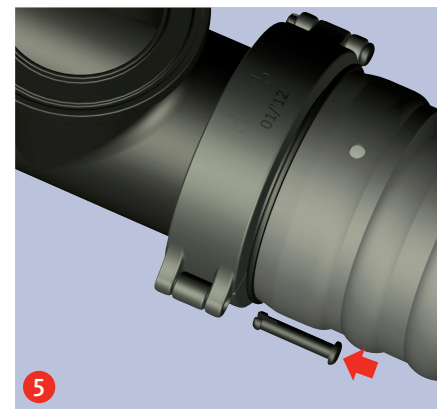
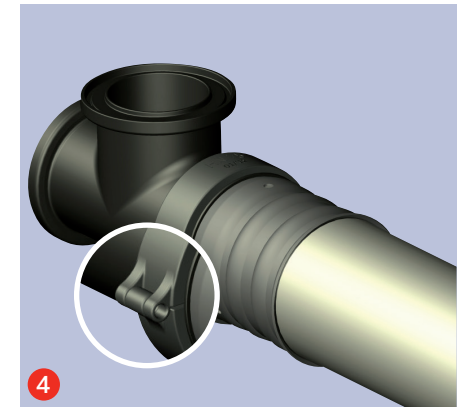
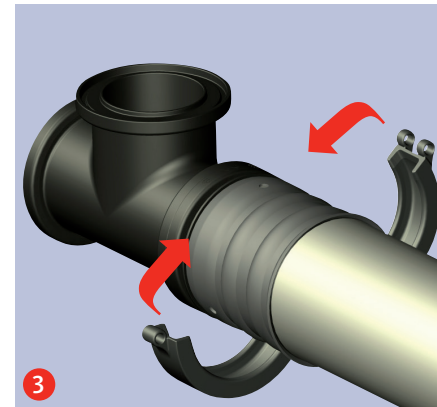
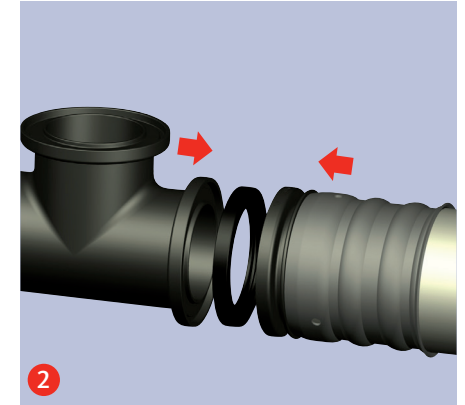
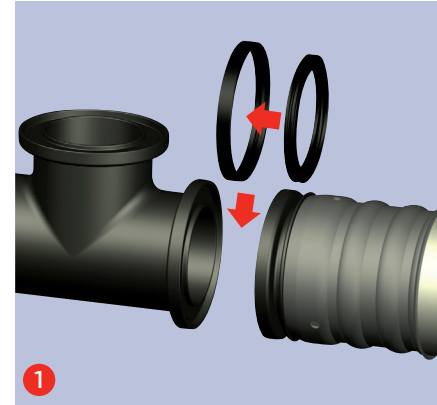


## SUPER SIZE PREPARATION



## SUPER SIZE ASSEMBLY



# SUPER SIZE RANGE



**TYPE: STANDARD** Straight length  
 ART. NR. 05-756063  
 Type Ø75



**TYPE: 1HN** Elbow 90°  
 ART. NR. 1HN75  
 Type HN75XHN75



**TYPE: 9HN** T-piece  
 ART. NR. 9HN75  
 Type HN75XHN75XHN75



**TYPE: 27HN** Elbow 45°  
 ART. NR. 27HN75  
 Type HN75XHN75



**TYPE: 8HN** Pressfitting  
 ART. NR. 8HN75PK40, 8HN75PK50, 8HN75PK63, 8HN75PK75  
 Type HN75X40, HN75X50, HN75X63, HN75X75



**TYPE: HN** Bracket set  
 ART. NR. HN75  
 Type



**TYPE: 17HN** Brass adapter male  
 ART. NR. 17HN-7510, 17HN-7512  
 Type HN75X2", HN75X2,5"



**TYPE: 18HN** Brass adapter female  
 ART. NR. 18HN-7506, 18HN-7510, 18HN-7512  
 Type HN75X1", HN75X2", HN75X2,5"



**TYPE: HNTOOLSET**  
 ART. NR. HNTOOLSET  
 Type



DO08-0003IN00



SUPER SIZE INSTRUCTIONS

SUPER SIZE TOOLING

